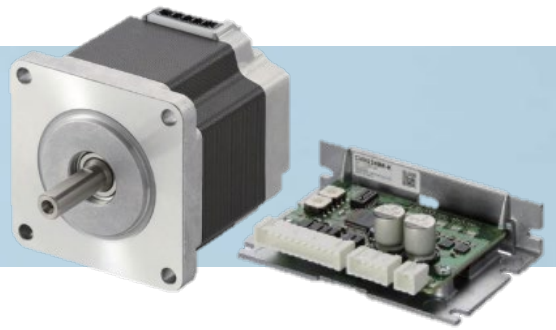


## Stepper Motors PKP Series

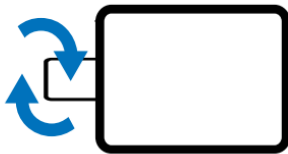


PKP Series Stepper motor is widely used in position control applications. It's user-friendly, easy to control and come with many other features.

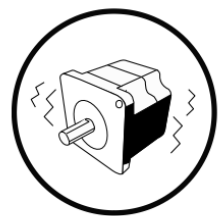
### Features



Choice of 2 and 5 phase stepping motors

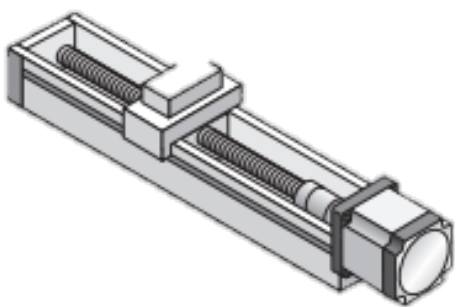


High Torque characteristics



Low Vibration

### - Application Example -

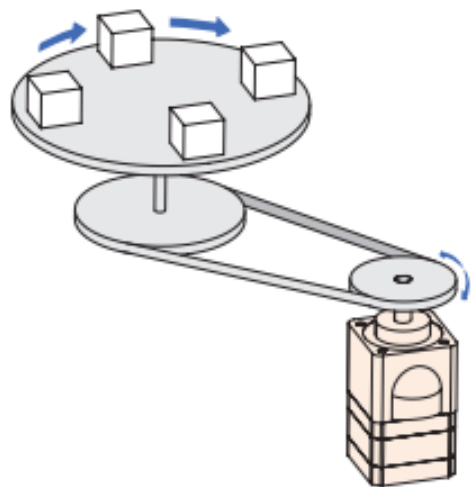


#### Ball screw Mechanism :

where a Constant Frictional Load is Applied For example, in a ball screw mechanism, as the one shown in the figure, a frictional load is constantly applied to the motor by the guide block and guide rail, etc.

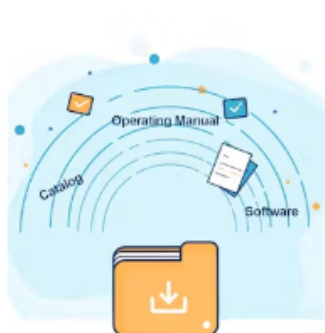
#### Belt and Pulley Mechanism :

- Reduce adjustments during assembly because belt tension can be higher than with conventional products
- The components for avoiding the concentration of the radial load on the shaft are no longer needed
- The degree of freedom in pulley selection is increased



Product	Price	Lead Time	Type
<a href="#">PKP242D23A2</a>	1,926 Baht	24 working days	2-Phase Flat type
<a href="#">PKP243D15A2-SG3.6-R2FL</a>	6,033 Baht	94 working days	2-Phase SH Geared Type with Encoder
<a href="#">PKP569FMN24A</a>	3,116 Baht	24 working days	5-Phase Single Shaft
<a href="#">PKP544N18A2-R2GL</a>	3,767 Baht	94 working days	5-Phase Standard Type With Encoder

### Our Services



#### Free Download

Download Catalog, Operation manual, Software



#### Member Register

Join us as a member to enjoy exclusive privileges!



#### Web-Ecommerce

Quotation and Price checking via Our website or buy via our E-commerce partner MISUMI



#### Online Selection Tools

Select suitable motors via online selection tools

