



Hollow Rotary Actuators

DGM II Series



Scan Video

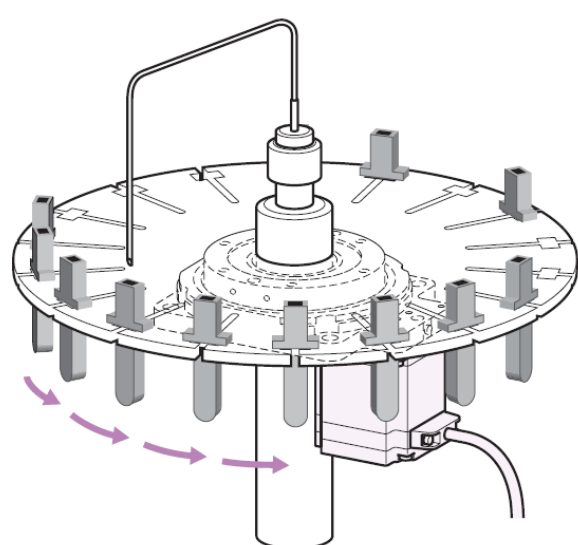


Scan Price

**Creating a machine for indexing to inspect individual work pieces?
Learn why a hollow rotary actuator is ideal.**

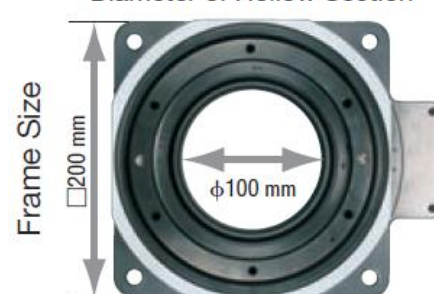
Solution:

The large diameter hollow hole (through-hole) helps reduce the complexity of wiring and piping, thus simplifying equipment design.



Filling equipment with piped-in liquid

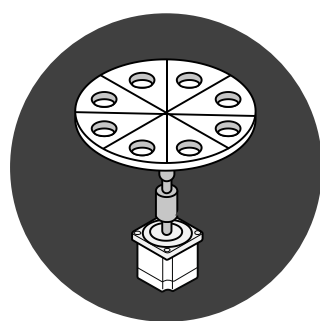
Diameter of Hollow Section



Example: **DGM200R**

Product	Frame Size	Diameter of Hollow Section
DGM60	60 mm	φ28 mm
DGM85R	85 mm	φ33 mm
DGM130R	130 mm	φ62 mm
DGM200R	200 mm	φ100 mm

Function



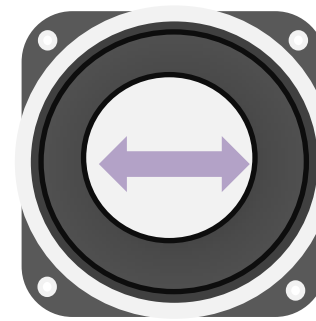
Variety of Usage



Battery-less



Repeatable & Accurate



The Diameter of the hole is Large



Brochure



Read More

UPCOMING EVENT

Orientalmotor

EVENTS SCHEDULE 2019

EXHIBITION

10 -12 OCT SMX Convention Centre, Philippines

SEMINAR

24 SEP Oriental Motor Sales Office, Singapore

26 SEP The Bellevue Manila Hotel, Philippines

For more information please contact us:

Tel: +65 6745 7344 or Email us: sales@orientalmotor.com.sg



CUSTOMER SERVICES

We're Online from Mon to Fri (9AM ~ 5PM SGT)



Live Chat



Showroom



Inspection & Repair



Technical Seminars

Check out our latest NEWSLETTERS!

For more information please contact us at : sales@orientalmotor.com.sg Tel : +65 6745 7344

WhatsApp: +65 9187 1994 Or check out our website at : www.orientalmotor.com.sg

