

αSTEP AZ Series Equipped

Linear Actuator

AZ Series with KRF Actuator

Request Brochure



FEATURES

Battery-free **AZ** Series Equipped with Built-in Absolute Sensor

Built-in Controller Type

- AC Power Supply Input
- DC Power Supply Input



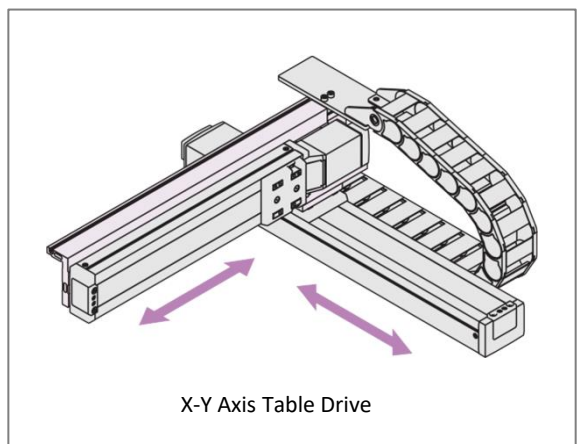
Pulse Input Type

- AC Power Supply Input
- DC Power Supply Input

Standard (Single Shaft)/Electromagnetic Brake Type

Repetitive Positioning Accuracy ± 0.01 mm

- Max. Speed : 500 mm/s
- Power Supply : 24/48 VDC
- Single-Phase 100 ~ 120 VAC
- Single-Phase 200 ~ 240 VAC
- Three-Phase 200 ~ 240 VAC



No battery required

Multi-rotation Absolute Sensor installed



Advantages of **AZ Series**

- Newly developed ABZO sensor
- No external sensors required
- High speed homing
- No battery required
- Easy home position setting

UPCOMING EVENT

SAVE THE DATE

3 - 6 JULY 2018

Oriental Motor Asia Pacific Pte. Ltd.
PARTICIPATE IN

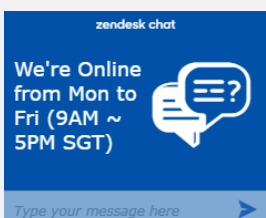
MTA VIETNAM EXHIBITION 2018

9AM - 5PM

Hall C
Booth No. **C1-65**

Saigon Exhibition & Convention Center
799 Nguyen Van Linh Parkway, District 7,
Ho Chi Minh City, Vitenam

CUSTOMER SERVICE



LIVE CHAT

Dedicated staff provide answers to various questions and advice regarding selection and usage of a motor, technical problems, etc. via E-mail or the phone.



SHOWROOM

It exhibits on the wide array of products available here. With demonstrations, we can also provide technical advice and assist you to select the motor required.

*Showroom is available at **Oriental Motor Asia Pacific Pte. Ltd.**
2 Kaki Bukit Avenue 1, #05-06, Singapore 417918



INSPECTION & REPAIR

Oriental Motor offers free inspection services. Feel free to contact us if you have encountered any problems with or damage to Oriental Motor products. If repair is required, we will advise on the applicable charges. Kindly note that free repair is available if products are used in accordance with the warranty conditions.



TECHNICAL SEMINARS

Dedicated trainers will go through from the basic motor knowledge to the applied technology and selection of the right motor. In additional, on-site seminars are also available. You can register for our seminars from our website.

CHECK OUT OUR MONTHLY NEWSLETTER!!!

For more information please contact us at : sales@orientalmotor.com.sg Tel : +65 6745 7344
Or check out our website at : www.orientalmotor.com.sg